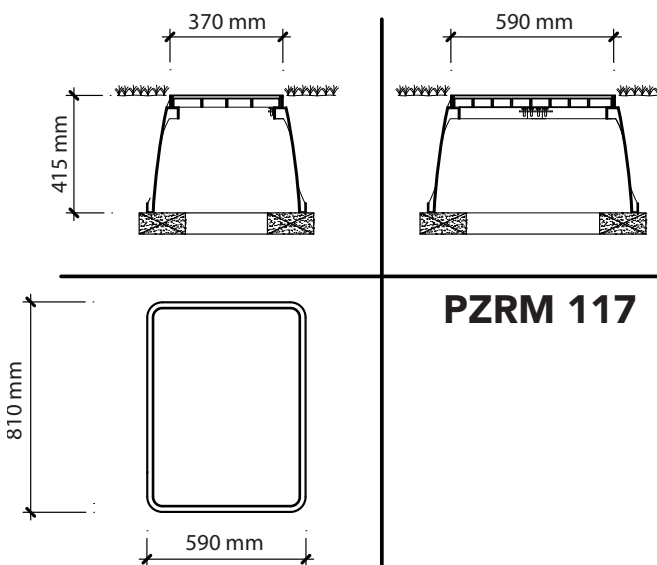


RECTANGULAR VALVE BOX 117 "EZOPEN"^{PAT}



Versioni disponibili / Available versions

Black body - Green lid

Green body - Green lid

Caratteristiche tecniche

Materiale corpo nero: polipropilene (PP)
Materiale corpo verde: polietilene (PEHD)
Materiale coperchio: polietilene (PEHD)

Maniglia di apertura

UNI EN 124 A class A 15 (Peak load >15 Kn)

Vite di chiusura pozzetto

Technical characteristics

Black body material: polypropylene (PP)
Green body material: polyethylene (PEHD)
Lid material: polyethylene (PEHD)

Opening handle

UNI EN 124 A class A 15 (Peak load >15 Kn)

Valve box closing screw

Code	Models
210.3001117	EZ-OPEN PZRM 117 VERDE/NERO (GREEN/BLACK)
210.3002117	EZ-OPEN PZRM 117 VERDE/VERDE (GREEN/GREEN)
210.2100117	RICAMBIO COPERCHIO PZRM 117 / SPARE LID PZRM 117